

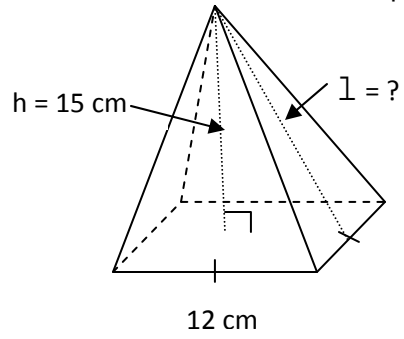
Geometry

Unit: Surface Area and Volume

Section: Surface Area and Volume of Pyramids and Cones

Review Worksheet

1) Find the surface area and volume of the pyramid below.



2) Find the surface area and volume of a cone with radius 8 and slant height 10.

3) The surface area of a cone is $261\pi \text{ cm}^2$. The radius of the cone is 9 cm. What is the slant height?

What is the height of the cone? What is the volume of the cone?